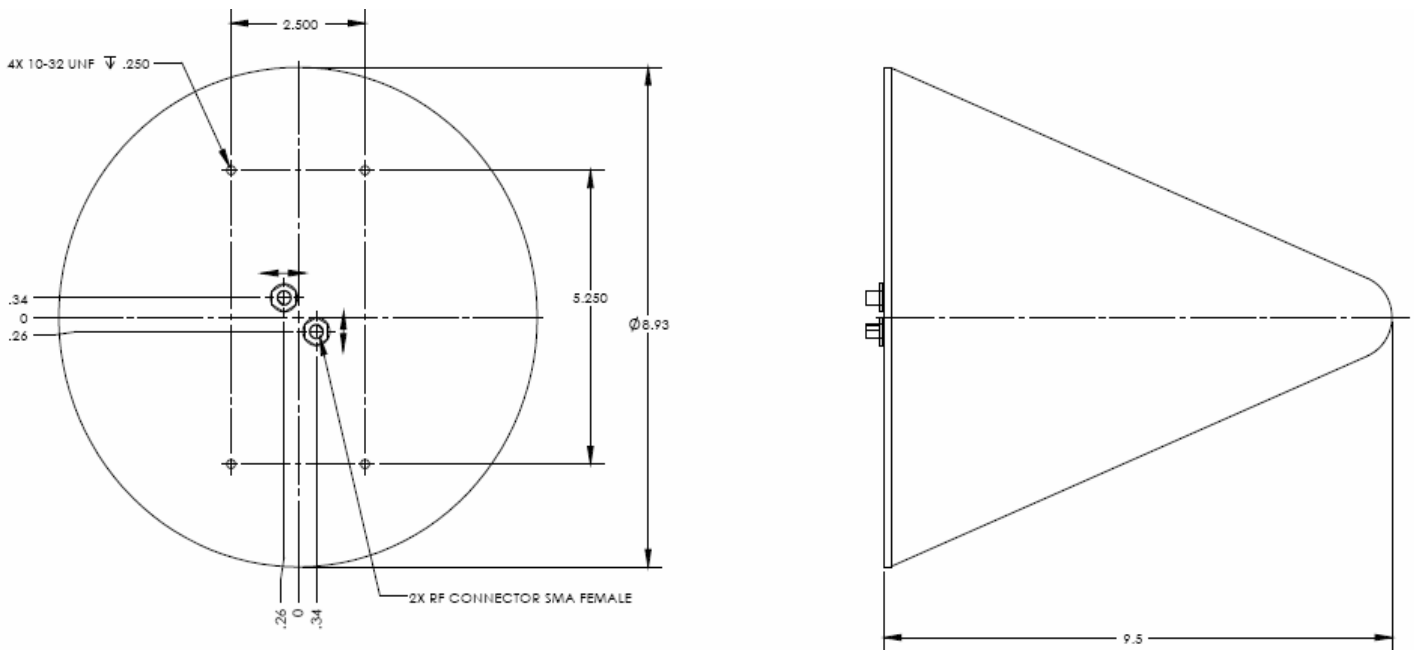


## Model TLP06-33-S, L/S/C-band Antenna Feed

The drawing below depicts the mWAVE Industries, LLC model TLP06-33-S dual polarized wideband antenna feed. The feed operates from 1435 MHz to 5150 MHz covering the L, S, and C telemetry bands. The introduction of this feed allows telemetry system designers to utilize the impending C-band frequency allocation. The feed is sealed within a UV stabilized radome that is suitable for outdoor use. The RF inputs are SMA female. Additional components (i.e. hybrids, filters, switches, etc.) can be added to the feed to satisfy custom requirements including multi-state dual circular and slant 45 polarization diversity schemes. Alternate mounting configurations and interface brackets are available upon request.



### NOMINAL RF PERFORMANCE SPECIFICATIONS

Frequency (MHz)	E-Plane HPBW (deg.)	H-Plane HPBW (deg.)	VSWR	Port-to-Port Isolation (dB)
1435-5150	67	109	2.5:1	15

**NOTE:** An expanded band version operating from 1.2-8.0 GHz is also available.

*Please contact mWAVE Industries, LLC with your antenna requirements to see how we can be of service. We welcome your inquiry and look forward to becoming one of your trusted partners.*

Above specifications are subject to change without notice.