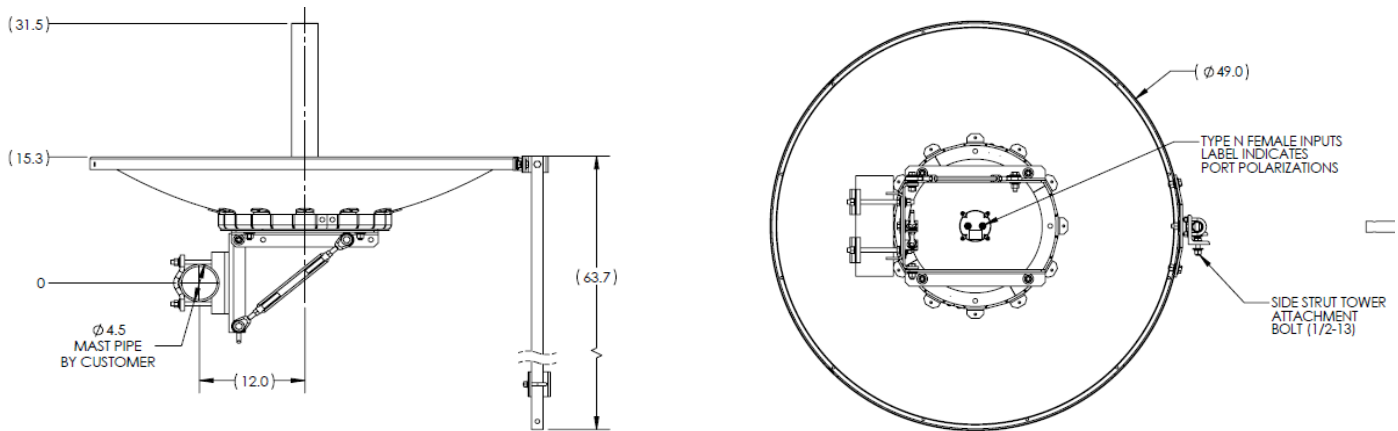


4 ft. Dual Linear Polarized C-band Antenna

Model RPD4-48-N



This antenna is designed for use in the C-band telemetry industry but can be used for other communications requirements within the operating band of the antenna. The RF inputs are Type N female connectors located behind the vertex of the main reflector. Alternate connector types are available upon request. The antenna consists of a COTS 4' aluminum reflector, a proprietary vertex mounted feed, and a pipe mount kit offering fine azimuth and elevation adjustment. Pipe mount components are galvanized steel. The finish is mWAVE standard gray paint. As an option, mWAVE can furnish the antenna with a reflector radome to provide additional environmental protection and reduce wind loading.

TYPICAL ANTENNA PERFORMANCE

Frequency (GHz)	Gain (dBi)	HPBW (deg.)		On-Axis X-pol (dB)	Port-to-Port Isolation (dB)	Return Loss (dB)
		E-Plane	H-Plane			
4.400	31.9	4.2	3.8	39.0	40.7	12.8
4.825	32.7	3.9	3.5	34.7	35.5	21.3
5.250	33.3	3.4	3.4	38.7	48.8	30.6

NOTE: This style antenna is also available in 2', 3', 5', and 6' reflector sizes to satisfy alternate gain requirements.

Contact mWAVE Industries, LLC for your antenna development and manufacturing needs.

P12038 4' dual linear C-band antenna October 6, 2013 - Specifications are subject to change without notice.